

SIGHT MARK[®]

USER MANUAL



**QUICK DETACH
BATTERY PACK**

SM28003

ABOUT SIGHTMARK®

While Sightmark's MAKE YOUR MARK tagline perfectly illustrates our mission to provide uncompromising accuracy in virtually any environment, to us, those three words mean quite a bit more.

MAKE YOUR MARK represents our commitment; first, to those who serve; second, to our Constitutional right to bear arms, the right ensuring all others remain intact; and finally, every single professional and recreational shooting enthusiast embracing and sharing our Pro-2nd Amendment lifestyle.

MAKE YOUR MARK also symbolizes our desire to build more than a brand people know they can trust. It represents our higher calling to build an honorable, unapologetic legacy, truly appreciative of the fabric of a free society to pass on to future generations. Only accomplishing the latter truly embodies the gravity of what MAKE YOUR MARK means to us.

In the spirit of gratitude for those who preserve freedom as we know it to be, MAKE YOUR MARK is a call to action. One we take seriously when it comes to developing products worthy of our brand... and our lifetime warranty. The same brand countless professionals rely upon for performance in the best... and most assuredly, worst of times.



QUICK DETACH BATTERY PACK

This Sightmark battery pack will fit any Picatinny rail, and it will rapidly power your optic—giving you more time at the range, or in the bush, and less time sitting next to a wall outlet. This battery pack will fit any device with a Universal USB Type A, and it weighs a mere 9 ounces, to avoid overloading your firearm. Featuring a “battery-life” indicator, and made of durable, flame-retardant ABS, this battery pack is an excellent addition to any shooting system.

FEATURES:

- Rechargeable lithium-polymer battery
- Tool less quick detach mount
- 10,000 mAh capacity
- Powers devices with all USB formats

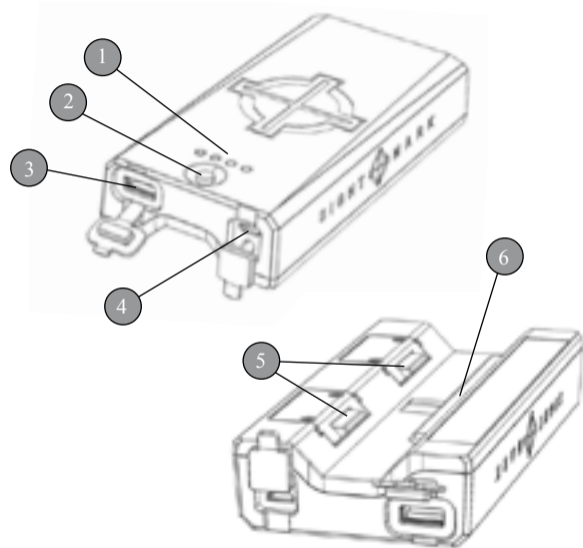
INCLUDED:

USB type A to micro USB cable

Technical Specifications:		SM28003	
Battery Type	Li-Polymer	Height, in/mm	1.06/27
Rated Capacity (MilliAmpere-hour Rating), mAh	10,000	Weight, oz	9
Input Voltage, V	5.0		
Input Amperage, A	2.0		
Output Voltage, V	5.0		
Output Amperage, A	2.1		
Battery charge indication	Yes		
Input type for battery charging	microUSB		
Output type for battery power	Universal USB Type A		
Mount Type	Picatinny		
Body material	Flame-retardant ABS		
Charging temperature range (F/C)	50-113/10-45		
Discharging temperature (F/C)	32-140/0-60		
Length, in/mm	5.51/140		
Width, in/mm	2.75/70		

DIAGRAM

1. Battery level indicator LEDs
2. Battery level button
3. USB output port
4. Micro USB input port
5. Spring loaded picatinny clamp
6. Fixed picatinny jaw



CHARGING THE QUICK DETACH BATTERY PACK:

The quick detach battery pack can be charged using the micro USB port. The battery can be charged using most USB type A power supplies. When charging the battery indicator light will blink. The indicators show how much charge the battery has.

- 1 Light blinking: Charging from 0-25%
- 1 Light solid, second light blinking: Charging from 25-50%
- 2 Lights solid, third light blinking: Charging from 50-75%
- 3 Lights solid, fourth light blinking: Charging from 75-100%
- 4 Lights solid: Battery fully charged

CHECKING BATTERY LEVEL:

To check the battery level press the button on top of the unit and it will display the battery level range.

- 1 Light: 0-25%
- 2 Lights: 25-50%
- 3 Lights: 50-75%
- 4 Lights: 75-100%

CHARGING A DEVICE:

To charge a device using this battery pack plug a USB cord into the larger USB type A port and the other end into the USB port on your device. The battery level indicator will turn on and then turn off after a set amount of time. If using this on a device that cannot be charged but simply is powered by the battery pack the battery level indicator may turn on when the unit is turned on.

MOUNTING:

To mount the quick detach battery:

1. Place the fixed side of the mount over the lip of the picatinny rail.
2. Confirm the recoil lug is aligned to a slot on the picatinny rail.
3. Push the opposite side of the battery pack down onto the rail until it snaps on.

(To remove, pull up on the non-fixed side until it snaps loose.)



SIGHT  MARK®

www.sightmark.com