



LEUPOLD



BOW-MOUNTED LASER RANGEFINDER
Complete Operation & Installation Manual

SPECIFICATIONS	
Angle Compensation	Yes
One-Touch Scan Mode	Yes
Battery Life	>3000 Actuations
Weight	10 oz
Dimensions	3.8" L x 2.8" H x 1.3" W
Low Battery Indicator	Yes
Warranty	2 year
Weatherproof	Yes
Distance Min/Max	10 / 70 yards

NOTICE OF USE RESTRICTIONS

As is the case for all electronic hunting products, there may be restrictions on the use of the Leupold Vendetta2 for hunting in your area. Please consult local regulations before heading into the field.

SAFETY AND OPERATION PRECAUTIONS

The Leupold Vendetta2 rangefinder employs an eye safe FDA Class 1 and CE Class 3R laser in its operation. Even so, there are a few precautions that are important to remember:

Do not depress the POWER button while aiming at a human eye or while looking into the optics from the objective side.

Do not leave the Vendetta2 within the reach of small children.

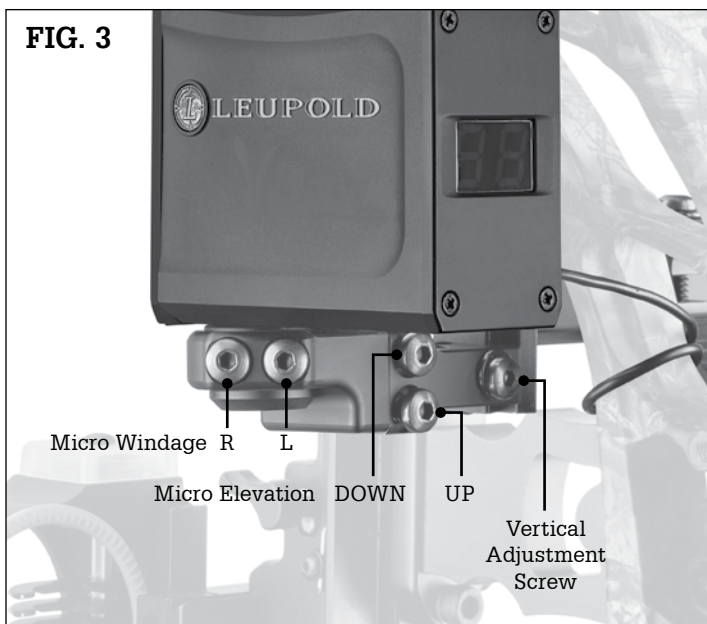
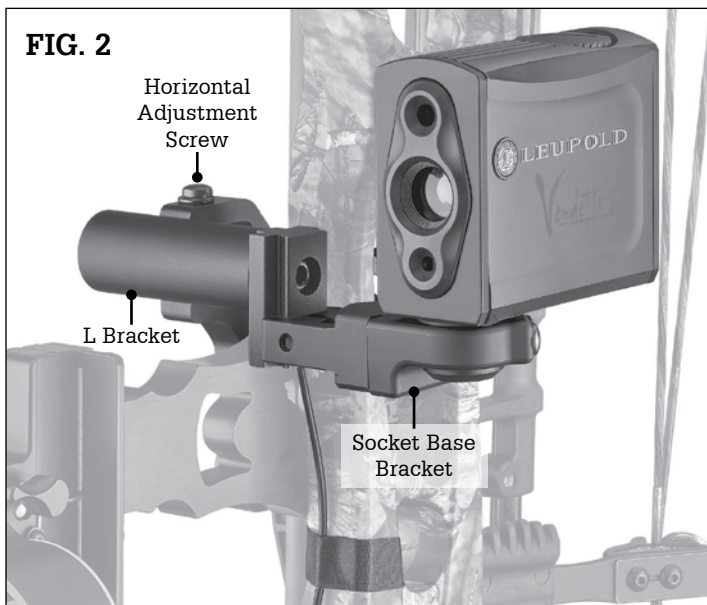
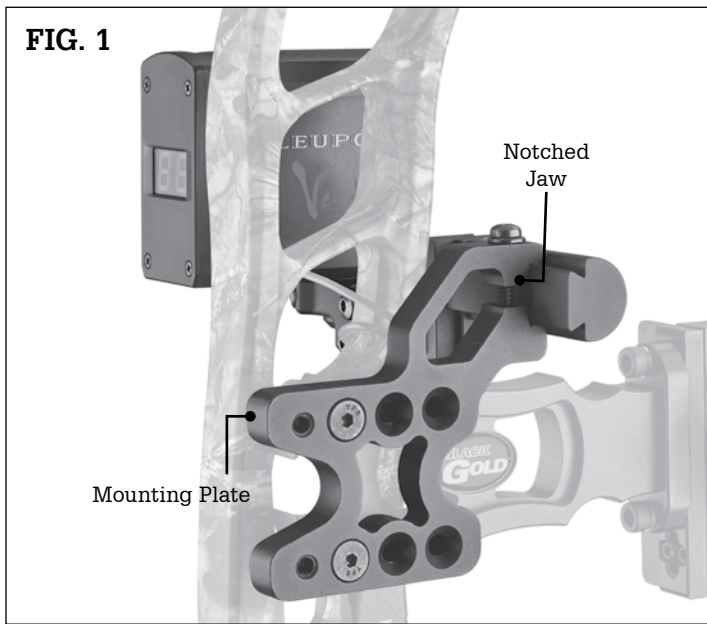
Do not take the product apart as it has a self-protection device in the electronic control module and may cause an electric shock.

Do not attempt to use any power source other than a CR2 battery (or equivalent) — the Vendetta2 is designed to prohibit accessing any other external power supply.



DAMAGE WARNING:

When selecting the final placement of the Vendetta2 Rangefinder, make sure to locate it where the bow string will not come in contact with it after firing.



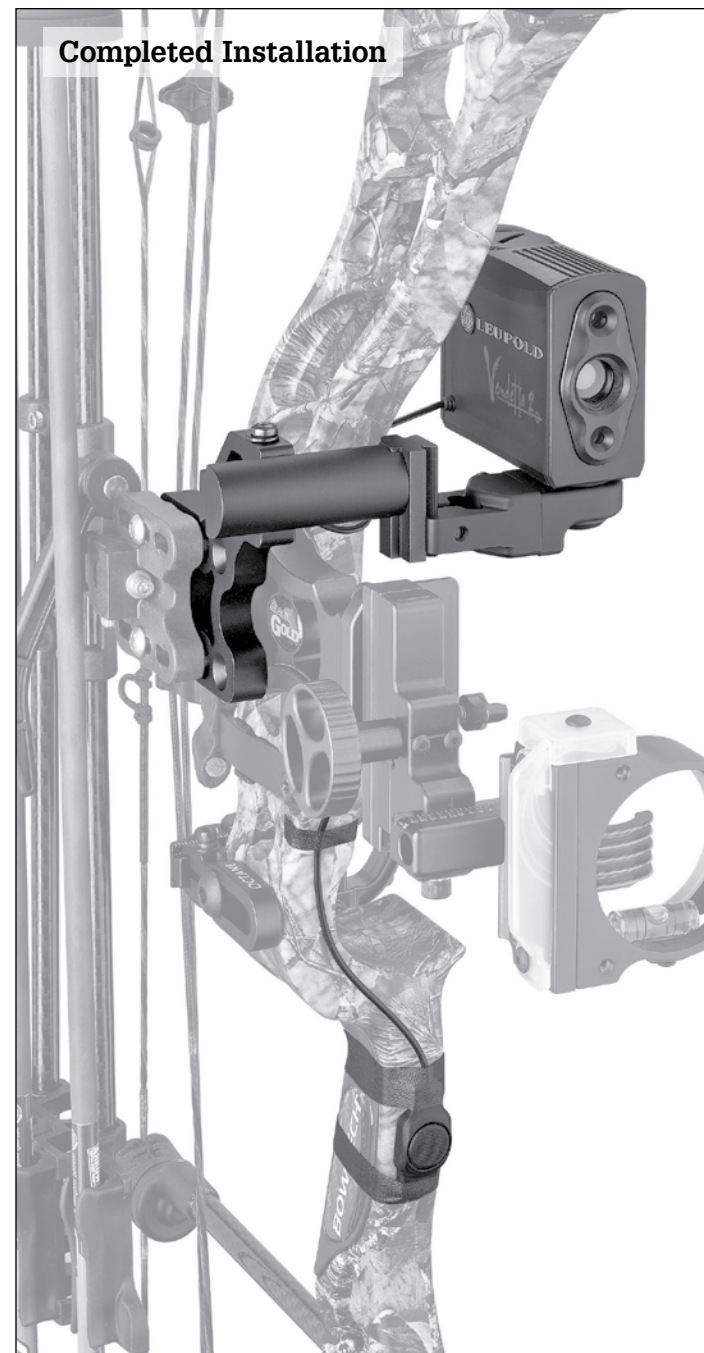
INSTALLING THE VENDETTA2

Bow Installation

The Vendetta2 mounting system is reversible and can be mounted on either side of the riser to accommodate right or left handed shooters. Adjustment to the location of the Vendetta2 in relation to your bow/sight can be made using the mounting system, however final alignment with your sight/pins will be covered in the next section.

Please refer to the following diagrams when mounting the Vendetta2 to your bow. We recommend placing the Vendetta2 as close to your sight as possible without obstructing the view of your pins, the target, or obstructing the front of the Vendetta2.

1) Attach the Mounting Plate to your bow's riser or directly to your sight, as far forward as possible, with the notched jaw facing the sight. Secure it with the included #10-24 Allen screws using a torque value of 35 in/lbs. (Fig.1) Your quiver can be attached to the Mounting Plate in the same manner as it would attach to a sight.



2) Insert the "L" shaped bracket into the Notched jaw of the Mount Plate with the round edge facing the sight and the dovetail side of the "L" Bracket facing down. Slightly tighten the horizontal Adjustment Screw on the Mount Plate to keep the "L" Bracket in place. (Fig. 2)

Adjustments to the horizontal position of the Vendetta2 can be made by loosening the Horizontal Adjustment Screw on the Mount Plate and sliding the L Bracket back and forth. Align the Vendetta2 directly over the sight pins, or as close as possible and tighten to 90 in/lbs.

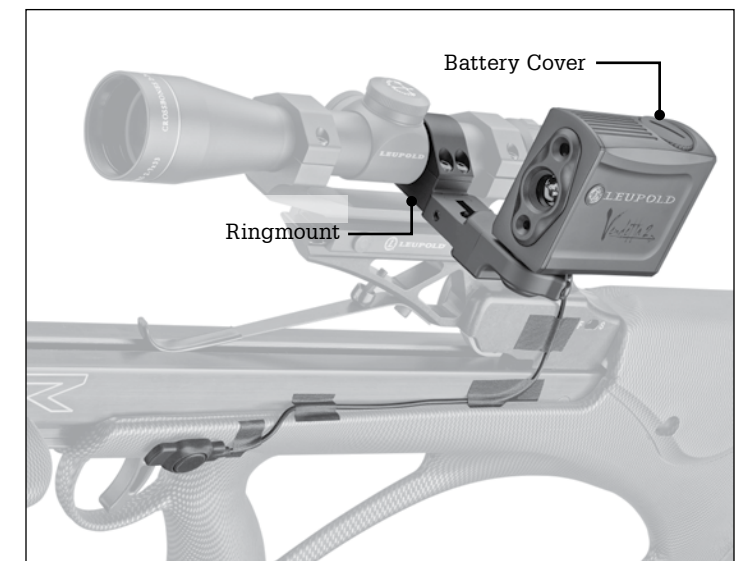
3) Slide the notched jaw of the Socket Base Bracket with the Vendetta2 attached to it, onto the dovetail side of the L Bracket with the battery cover facing up toward the top of the riser and the LED display facing the bowstring. Adjust the position of the Vendetta2 so that the bottom of the Vendetta2 socket base bracket is above your sight pins and the optical lenses are not obscured by the bow or sight. Tighten the Vertical Adjustment Screw to 90 in/lbs. (Fig.3)

Crossbow Installation

Locate a section of the crossbow scope maintube that can accommodate the Vendetta2 Ringmount. If needed, remove the scope to install the Ringmount. Install the Ringmount with the dovetail portion on the bottom, The Vendetta2 can be mounted on either side of the scope. Loosely attach the Ringmount and reinstall the scope. Level the Ringmount and tighten the ring top to 22 in/lbs. Install the Socket Base Bracket on to the Ringmount dovetail and tighten to 90 in/lbs.

Securing the Power Button

Once the Vendetta2 has been properly mounted and secured, the power button will need to be secured to the grip in a position that is comfortable for you. We recommend using cloth tape to secure the button to the front portion of the grip. Be sure to secure all portions of the wire in a manner that will eliminate any contact with all moving bow components such as the arrow, arrow rest, bow string and drop-away rest trigger cord.





SAFETY WARNING:

Never aim your bow at anything you do not intend to shoot.

ALIGNING THE VENDETTA2 WITH YOUR SIGHT

Read this entire section thoroughly prior to proceeding. Aligning the Vendetta2 at distances greater than 20 yards can significantly improve performance in the field.

Proper alignment of the Vendetta2 with your sight is absolutely critical to proper performance in the field. To ensure exact alignment and compensate for the offset between the Vendetta2 and your sight, be sure to read and understand the entire alignment process before beginning.

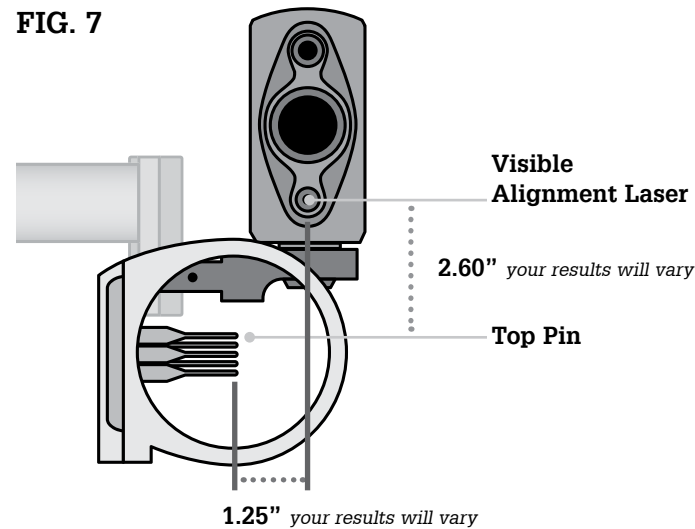
To properly align the Vendetta2 with your sight, two measurements must be taken and applied during the alignment process. The goal is to align the Vendetta2 visible alignment laser with your top sight pin, so that your top pin becomes your alignment mark to range targets.

Calculating Your Total Offset:

Use a ruler to measure the Vendetta2 offsets. The first measurement is the horizontal offset between the Vendetta2's visible alignment laser (bottom most lens) and the center of the top pin of your sight. In the graphic below (Fig.7), this measurement is 1.25". The second measurement is the vertical offset between the Vendetta2's visible alignment laser and the top pin of your sight. In the graphic below, this measurement is 2.60". The combination of these two measurements shows the total offset between the visible alignment laser and the top pin of your sight. These measurements will be critical to achieving proper alignment of your Vendetta2 and should be taken as carefully as possible.

Recreating your total offset on the alignment aid

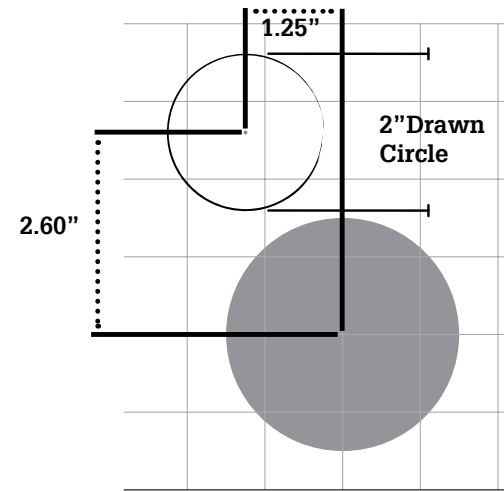
FIG. 7



To accurately align the Vendetta2 with your bow, you must first determine the offset of the Vendetta2 to the sight pins. Using the included alignment aid and a permanent marker, draw a 2" circle recreating the total offset between the visible laser channel and the top pin of your sight. (Fig.8) In the example, the center of this circle would be exactly 1.25" LEFT, and 2.60" ABOVE the center of the pre-marked black dot on the alignment aid. The total offset will vary with each bow/sight combination and the measurements above are for explanation purposes only.

Note: When recreating your total offset on the alignment aid, remember that the horizontal distance should be marked as though you were behind the bow/sight. Using the example above, the Vendetta2 would be to the left of the top pin when viewed from behind in a firing position.

FIG. 8

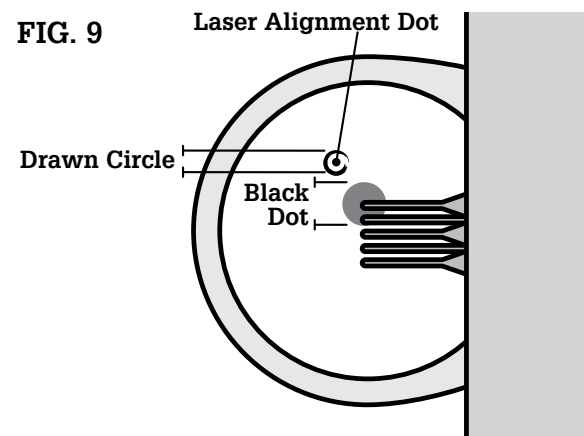


Laser Aligning The Vendetta2

Place the alignment aid on a large, safe backstop and position yourself an appropriate distance from the backstop. We recommend making initial alignment corrections at 20 yards, then verifying alignment at 40 yards if possible.

Activate the visible alignment laser by pressing and holding the power pad for 10 seconds. A count-down timer will be shown on the Vendetta2's display and the visible laser will activate when the timer reaches zero. If the Vendetta2 has previously been activated, allow it to sit idle until it has powered down, then begin the activation process for the visible alignment laser. Safely come to full draw and aim your top pin at the center of the alignment aid. Using the red dot created by the visible alignment laser, make note of which direction the Vendetta2 must be adjusted to place the red dot in the center of the circle you created on the alignment aid. (Fig.9)

FIG. 9

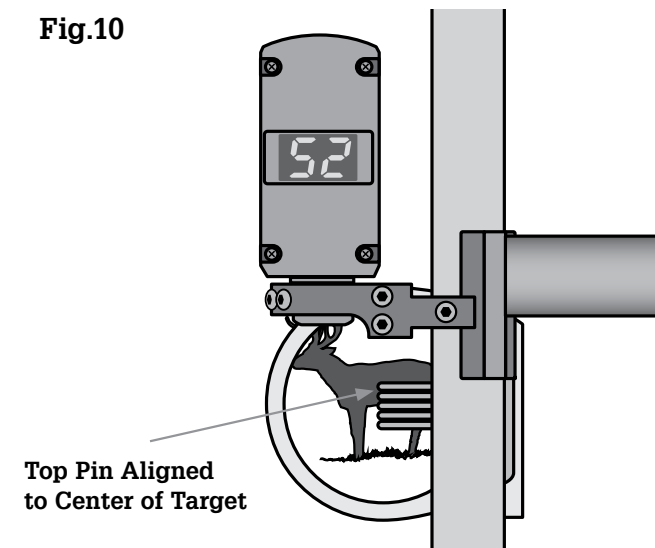


Proper alignment has been obtained when you can aim (at full draw) your top pin at the center of the black dot, and the red dot produced by the visible alignment laser is located in the center of the circle you created during "recreating your total offset" on the alignment aid process above. Once the Vendetta2 had been properly aligned, tighten the Micro Adjustment Screws to 23 in/lbs and verify alignment one more time.

To deactivate the visible alignment laser, press and hold the power button for 5 seconds. The visible alignment laser will automatically deactivate 5 minutes after activation.

Note: For best results, align the Vendetta2 at the longest distance possible. Since the purpose of measuring the total offset between the visible laser and your top pin is to ensure the Vendetta2 is aligned parallel to your sight, you can place the alignment aid at any distance and continue to use your 20-yard pin for alignment.

Fig.10



MEASURING DISTANCE WITH THE VENDETTA2

Measurement of distance with the Vendetta2 is a very simple operation:

Depress the POWER button on the pressure pad to power up the unit. (Fig.10)

Come to full draw and align your top pin with the target you intend to range.

Depress the POWER button again – this will cause the invisible ranging laser to activate and take a distance reading.

Read the distance as shown on the LED display.

Note: For best results, always aim at the center of the intended target when determining range. (Fig.10)

Scan Mode (continuous measurement of a moving target)

Scan mode can only be used after the Vendetta2 has been powered up.

When the Vendetta2 is activated, press and hold the POWER button for at least 2 seconds. Once the display begins blinking, SCAN mode has been activated. Follow the object as it moves. SCAN mode can be activated prior to drawing the bow.

The distance will automatically update for 40 seconds. Press and release the POWER button to exit SCAN mode.

This procedure can also be used to obtain the range of multiple animals or objects; simply move your sight pin from one target to another.

CLEARING THE LAST DISTANCE OBTAINED

The last range reading taken does not need to be cleared before reading another object's distance. For that reason, there is no reset button.

The ranging accuracy of the Leupold Vendetta2 rangefinder is ±1 yard.

LOW BATTERY INDICATOR

When your battery reaches 1/4 capacity and will soon need to be replaced, the distance readout will blink quickly each time you range a target. The Vendetta2 will continue to function normally and provide optimal performance until the battery has reached zero capacity.

CLEANING / MAINTENANCE

Blow away dust or debris on lenses, or use a soft lens brush (such as the one found on the Leupold LensPen®). To remove fingerprints, water spots or tougher dirt, use a soft cotton cloth or the cleaning end of the Leupold LensPen. A lens tissue with lens cleaning fluid may be used for more stubborn dirt. Always apply cleaning fluid to the cleaning cloth, never directly to the lens.

To insert a new battery, remove battery cover and remove exhausted battery. Insert new CR-2 battery, negative terminal first, into the battery compartment. Close battery cover. The Vendetta2 is weatherproof.

HELPFUL HINTS FOR USING THE VENDETTA2

How do I activate angle compensation?

Angle compensation is always activated on the Vendetta2.

How do I activate the visible alignment laser?

Make sure the Vendetta2 has powered down and the display has not been activated. Press and hold the Power button for 10 seconds (a count-down timer will appear on the display).

How do I deactivate the visible alignment laser?

Press and hold the Power button for 5 seconds (a count-down timer will appear on the display).

The Vendetta2 does not provide range.

Make sure that the POWER button is being pressed and released.

Make sure that nothing, such as your hand, sight, or riser is blocking the lenses; as this could interfere with the emission and reception of the laser pulses. Make sure unit is held steadily while depressing the POWER button.

The target may be farther than 70 yards.

Make sure the target is at least 10 yards away.

Should you need assistance with your Vendetta2 product do not return it to the dealer, contact Leupold Technical Services at (800) LEUPOLD (538-7653).

WARRANTY / REPAIR

Your Leupold Vendetta2 digital laser rangefinder is warranted by the Leupold Electronics Warranty, and is protected from defects in materials and workmanship for TWO YEARS from the date of purchase. In event of a need for service or repair, please contact Leupold Product Service at:

BY PARCEL SERVICE:	BY POSTAL SERVICE:
Leupold Product Service	Leupold Product Service
14400 NW Greenbrier Parkway	P.O. Box 688
Beaverton, OR 97006-5791 USA	Beaverton, OR 97075-0688 USA

For product questions, consult the Leupold Web site at: www.leupold.com, or call (503) 526-1400 or (800) LEUPOLD (538-7653).

LEUPOLD, GOLDEN RING, MARK 4, the Golden Ring design, the circle-L reticle logo design, and various other marks are registered trademarks of Leupold & Stevens, Inc. All marks, including corporate logos and emblems, are subject to Leupold's rights and may not be used in connection with any product or service that is not Leupold's, or in any manner that disparages or discredits Leupold, or in a manner likely to cause confusion.

Certain other trademarks used in connection with Leupold products and services are the property of their respective owners, and are used with permission. BOONE AND CROCKETT CLUB and BOONE AND CROCKETT are registered trademarks of the Boone and Crockett Club. RMEF and ROCKY MOUNTAIN ELK FOUNDATION are registered trademarks of the Rocky Mountain Elk Foundation. ADVANTAGE TIMBER and ADVANTAGE TIMBER HD are trademarks or registered trademarks of Jordan Outdoor Enterprises Ltd. MOSSY OAK BREAK-UP, MOSSY OAK BRUSH, MOSSY OAK OBSESSION, and MOSSY OAK TREESTAND are trademarks or registered trademarks of HAAS Outdoors, Inc. A.R.M.S. is a registered trademark of Atlantic Research Marketing Systems, Inc.

We reserve the right to make design and/or material modifications without prior notice.

Copyright © 2016 Leupold+Stevens, Inc. All rights reserved.



LEUPOLD+STEVENS, INC.
P.O. Box 688
Beaverton, OR 97075 U.S.A.
1 (800) LEUPOLD (538-7653)
www.leupold.com

LEUPOLD+STEVENS, INC.
14400 NW Greenbrier Parkway
Beaverton, OR 97075-0688 U.S.A.
(503) 526-1400