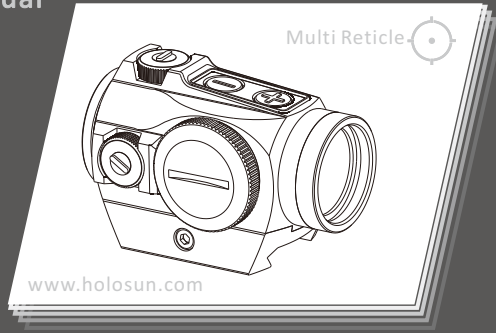


Circle Dot Sight

User's Manual



Thank you for purchasing the PARALOW HS503G-U Circle Dot sight, which is a monocular inner circle dot sight, please read the User's Manual carefully.

Model

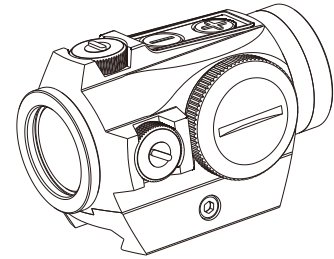


Fig1 PARALOW HS503G-U Circle Dot Sight

Features

- 1. Covert aiming:** When aiming, the red dot is projected within the sight so no light can be detected by the target. Unlike a laser sight that appears as a dot that can be seen on and by the target.
- 2. Full field of view for target acquisition:** The user can gain rapid target acquisition and situational awareness while aiming with both eyes open.
- 3. Low power consumption:** Only a few micro-amperes of current are required for sight operation. Sight runs on one battery for up to 10,000 hours. When battery replacement is required, the battery compartment is concealed in the base.
- 4. Motion power on:** The sensor will turn on the power with a slight movement of the sight.
- 5. Parallax free optical system:** Parallax is $\leq \pm 1$ MOA.
- 6. Auto power off:** The sight will be automatically powered off after not being used for 8 hours.
- 7. Brightness adjustment:** There are 12 settings for the intensity of the red dot so as to match the ambient lighting conditions.
- 8. Waterproof:** Ip67
9. Windage and elevation turrets embedded for protection.
- 10. Two top mounted buttons:** The top mounted buttons allow for easy operation without obstructing the user's vision.

Multi Reticle



The reticle for this sight is a central 2MOA dot, centered in a 65MOA circle with four positioning points. The diameter of the circle reticle represents approximately 5'5" at 100 yards (170cm at 100m).

The circle reticle can be enabled or disabled as required by pressing the "-" button for 3 seconds.

Battery

1. The operation voltage for this device is DC3V there is one CR2032 Lithium battery with sale.
2. The battery lifetime is 10000 hours.
3. Please see the Fig 2 for battery installation and Replacement:
 - 1) Left-turning to open the battery cap.
 - 2) Insert the battery into the battery chamber with the right marked polarities "+" "-", See Fig2, Take the waste battery out for replacement.
 - 3) Rotate to close the cap .

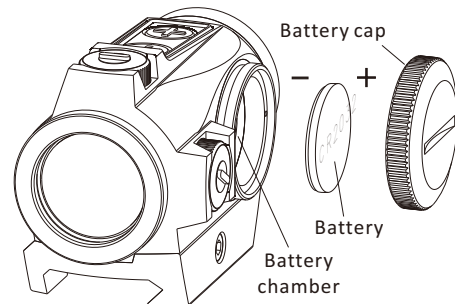


Fig 2

Caution:

The lost, damage or corrosion of the O-ring inside the battery cap will cause the water leaking into, which may damage the electrical circuit and device.

Installation

1. The mount bracket is adaptable to the arms with Picatinny Rail, If the arms have no Picatinny rail , or with other types of rail, Please make extra remarks in your purchase order.
2. Firstly insert the Allen wrench into the clamp screw hole, then rotate to loosen the convex set, slid the sight into the weapon rail to a right position, and finally fasten the clamp screw.(Fig3)

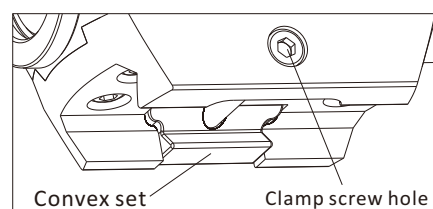


Fig 3

Important notices

1. You must check carefully and make sure for 100% to unload the bullet from your firearms before any actions taken such as device installation , beam adjusting or changing new battery . Ensure all the operation is under safe condition.
2. Please keep the inner package for future maintenance mailing purpose. Other packaging material may be disposed properly.

Sight operation

- 1. Switch on (see Fig4) :** Press and release either brightness button ("+" or "-") to turn on the sight.
- 2. Power off:** Press the "+" and "-" buttons simultaneously will turn the power and motion sensor off.
- 3. Brightness adjustment:**
There are 12 brightness settings. The default brightness is the 7th level. Pressing the "+" or "-" button until the red dot has a sufficient intensity to contrast against the target. One quick press and release changes brightness.
- 4. Sleep time mode:**
 - 1) Please note that your red dot will automatically enter into sleep mode after 10 minutes of no movement. See FAQ.
 - 2) The sight will instantaneously wake up and turn on with any motion detection to last saved setting.
- 5. Turn on/off the circle reticle**
When the battery voltage is low or other circumstances, the circle reticle can be enabled or disabled as required by pressing the "-" button for 3 seconds.
- 6. Note:**
 - 1) Memory function: The sight will remember the last saved brightness setting when powered on and off.
 - 2) Low battery Warning: If the battery voltage is below 2.2Vdc, the reticle will blink slowly.

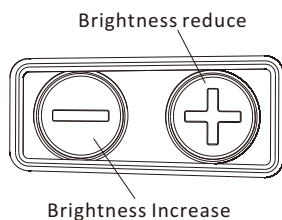


Fig 4

Zero setting

1. On top of sight is the elevation adjusting turret, windage adjusting knob is on the right side (see Fig5). The sight has been factory adjusted for approximate zero.
2. The built in screw driver tool on the protective cap can be used for zeroing adjustment(see Fig5). See label inside cap.
3. First open the protective cap, position slot type screwdriver on the slotted screw, then rotate the screw to right or left for adjustment. Each left or right click is for one shift moving equivalent to 0.5 MOA value.
4. Adjust the elevation turret counterclockwise to move the point of impact UP. Adjust the windage turret counterclockwise to move the point of impact to the RIGHT. Turning either turret clockwise moves the point of impact in the opposite direction.
5. Caution:
Don't try to over rotate the knobs, if you feel the knobs cannot be rotated, this indicates you have reached the adjustment limit, otherwise the device may be damaged. If the required adjusting range is beyond the limits, consider adding an extra spacer between the device and mounting rail to allow for additional adjustment.

Note:

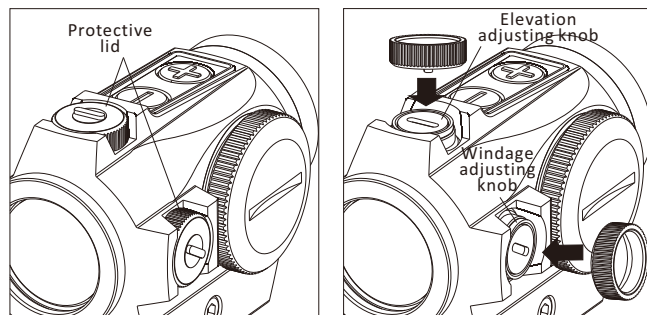


Fig 5

Maintenance and care

This device is a precision instrument that deserves reasonably cautious care. The following tips are provided to ensure long lasting use of the sight.

The optical system including the objective window and eyepiece lens which are multi-coated optical glass. When cleaning the lenses, blow away the dust on surface, wet the lens with lens cleaner or clean water, wiping the fingerprint and other oils with lens tissue, soft cotton or microfiber cloth. No special maintenance needed for housing surface. Avoid touching the glass surface with dry cloth or tissue paper. No organic solvents such as alcohol, acetone are allowed. Don't attempt to dismantle the device as the internal parts are specially cleaned and sealed and with anti-fog treatment, Any such attempt will void the warranty.

If repair needed, you can call our customer service center, or login in our website, or send email to us.

Limited warranty

SUMMARY

We provide limited lifetime warranty from the date of purchase on parts and workmanship to the original purchaser. At our sole discretion, we will repair or replace product found to be defective under normal use and service without charge excluding any delivery costs, which will be born by purchaser. We will not be liable for incidental, consequential, or special damages arising out of or in any connection with the use or performance of this product. This warranty is void if the product has been misused, modified, neglected, or disassembled prior to its return.

Please refer to <http://www.holosun.com> for current and complete warranty information.

PARALOW HS503G-U
Circle Dot sight

HOLOSUN
Holosun Technologies Inc.
www.holosun.com



Customer Service

Phone: 909-594-2888
Email: warranty@holosun.com